



Penn Valley Pump Company Inc.

The World Leader in Free-Diaphragm® Technology

Features and Benefits

- Modular design w/ hinged housings for easy disc replacement*
- Two-piece swan-neck
- Only 5 wetted components
- Self-priming with high suction lifts
- Seal-less design, no stuffing box or mechanical seals, no seal water required
- Runs dry without damage
- No check valves, no fouling problems
- Handles up to 2" solids and line size semi-solids
- No routine maintenance required
- Custom Configurations
- Two (2) year warranty

Technical Specifications:

Typical Flow Range:	Up to 500 GPM
Displacement:	0.76 gal/rev @ 60ft TDH
Operating Speeds:	Up to 600 RPM
Discharge Pressure:	Up to 43psi operating Up to 110psi stall pressure
Suction Pressure:	Up to 28ft lift to 43psi
Fittings:	6" 150# Flanged

Materials of Construction:

Housings:	Cast iron	Optional:	Lined with Hypalon, Neoprene, PVC, Tungsten Carbide, others
Elastomers:	Neoprene		Buna-N, EPDM, Hypalon, HNBR, Polyurethane, Viton, others
Connecting Rods:	High-tensile Aluminum		
Drive Shaft:	High-tensile 400 Series SS		
Eccentric Cams:	High tensile bronze alloy		
Frame and Covers:	304SS	Optional:	316SS, Galvanized Steel

Drives:

Static:	Electric belt and pulley	Optional:	Air and Hydraulic motor
Trailer Mounted:	Electric, Gasoline and Diesel Engine		

Model 6DDSX76

Double Disc™ Pump

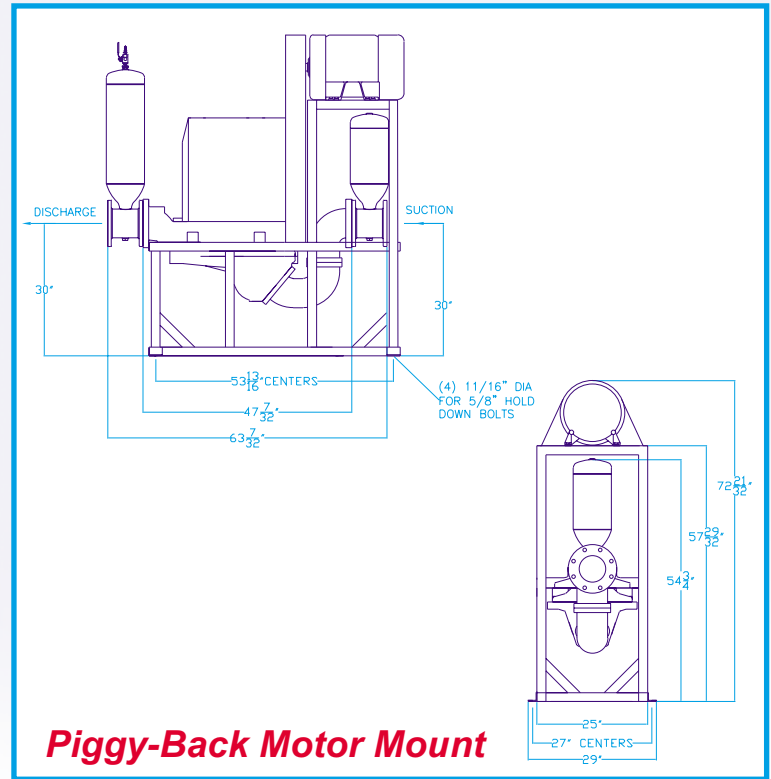
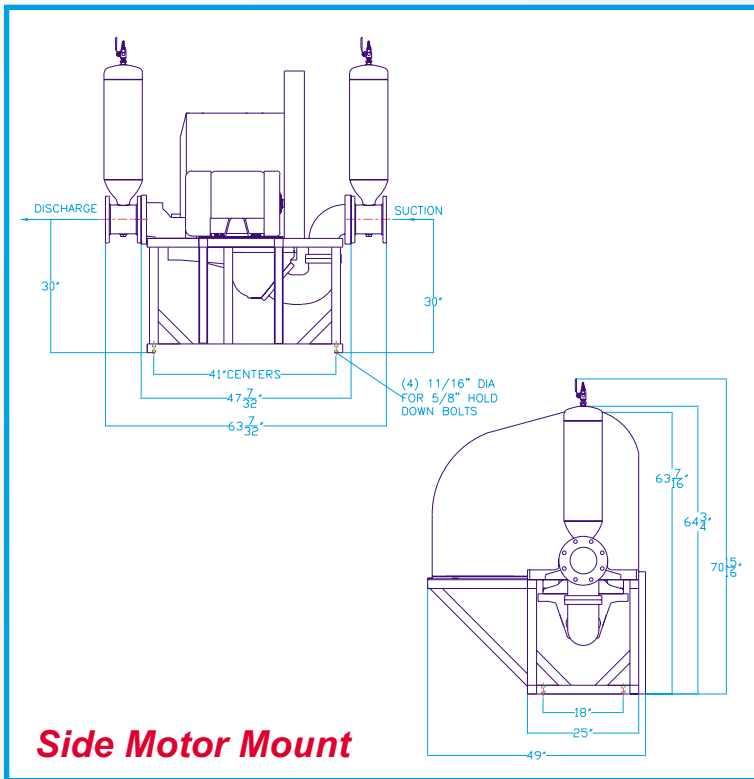
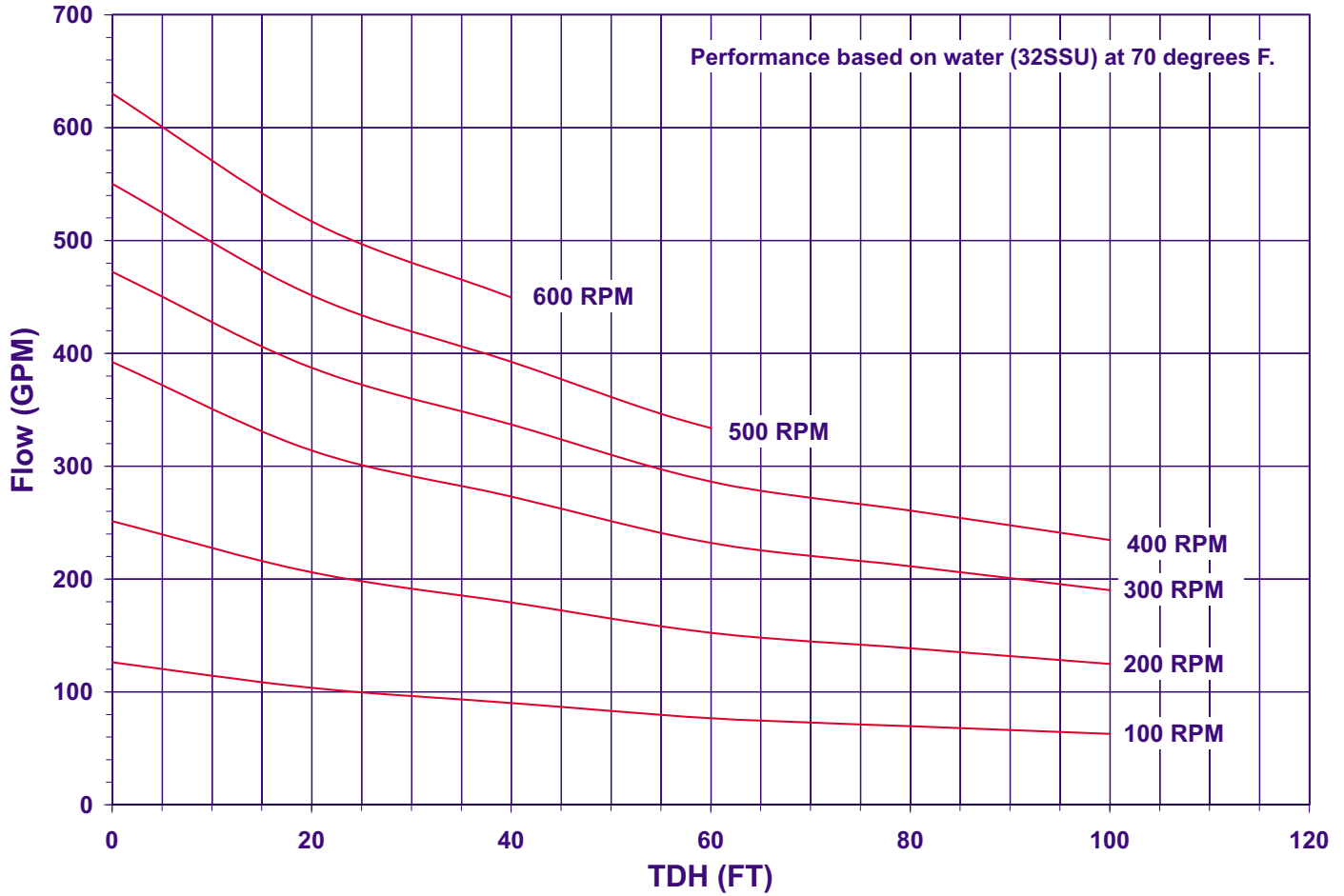


The Ultimate in Sludge Pumps™

* Patent Pending



DOUBLE DISC PUMP 6DDSX76 Performance Curve



Penn Valley Pump Company Inc.

998 Easton Road • Warrington, PA 18976 • www.pennvalleypump.com
info@pennvalleypump.com • 215/343-8750 Fax 215/343-8753